

Above

SAT



SAT LED 조명

2018. 08. 13 Ver.03



Contents

개요

왜 LED인가

제품 설명

공급 실적

적용 사례

개요 _ 회사소개

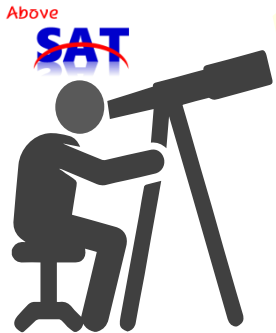


SAT사는 2004년 설립되어, LED조명, 에너지 저장장치(ESS), 반도체장비 및 배터리 소재를 생산, 공급하는 회사입니다. 주식시장에 상장한 이래 사업을 다각화, 특히 친환경 및 신재생 에너지분야에 아낌없는 투자를 해오고 있으며 검증된 기술력과 풍부한 경험을 바탕으로 국내 시장뿐이 아닌 전세계에 걸쳐 좋은 평판을 받고 있습니다.

개요 _ 회사 연혁



개요 _ 사업분야



왜 LED인가



비용절감



- 낮은 전기 사용량
- 전기료 절감
- 유지 보수비용 제로

긴 수명



- 50,000시간
- 10-12년 (풀 타임 사용 기준)

친환경



- 에너지 절감
- 이산화 탄소 배출량 감소
- No 자외선
- No 적외선 방사

왜 LED인가



빠른 투자회수율



- 대략 1~4년
(설치 조건에 따라 다름)

효율성



- 응답속도 빠름, 대기시간 제로
- 잦은 전원 on-off시에도 고장 없음
- 작지만 강함
- 직접 투광

왜 LED인가 _ LED Vs 일반 전구



LED

Vs

일반 전구



	LED 조명	형광등	백열등
동일 Output 대비 소비전력량	10W	60W	100W
수명(시간)	50000	6000	1500
동일수명 소요 전구 수	1	9	34

왜 LED인가 _ LED Vs 일반 전구



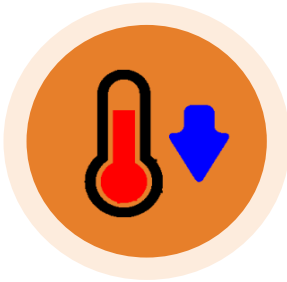
	LED 조명	메탈할라이드
조명 수	1	1
하루당 사용시간	12	12
전기세, kWh당 \$	0.113	0.113
소비전력(W)	80	350
조명 가격(\$)	150	25



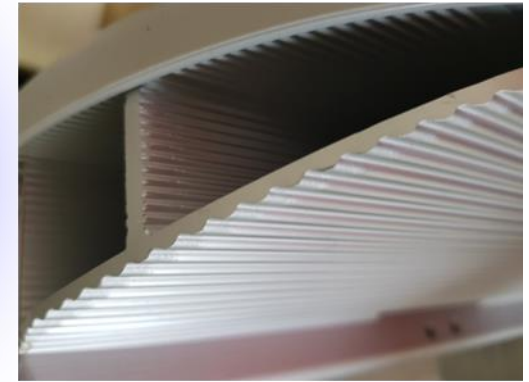
Output values			
Power consumption per year (kWh)	350.4	1533.0	1182.6
CO2 saved per year (kg)	308.4	1349.0	1040.7
Running cost per year	\$39.60	\$173.23	\$133.63
Total cost over 1 year	\$189.60	\$198.23	\$8.63
Total cost over 3 years	\$274.82	\$569.69	\$294.86
Total cost over 5 years	\$368.79	\$941.15	\$572.36
Total cost over 10 years	\$736.60	\$1,857.29	\$1,120.69

절감 비용⁹

방열기술



- 대류구조(굴뚝형)에 의한 방열(특허)
- 방열에 효과적인 주름 방식의 얇은 프레임(특허)
- 부품 간소화



LED조명의 수명에 있어 첫 번째 관건은 방열 시스템
열악한 방열구조는 LED조명의 수명을 줄이는 원인이 됨

**SAT사는 독자적으로 개발한 방열 기술을
적용, 생산하고 있습니다.**



내구성



-40 ~ +50 (°C)

- 충격 저항
- 방수 및 방진
- 저온 및 고온 저항



검증된 우수한 품질



- 뛰어난 발광효율 (110~150 lm/W)
- 탁월한 조도
- LGIT / SAMSUNG LED Chip 사용
- 경량화
- 뛰어난 방진설계 및 빈틈 없는 하우징으로 이물질 끼임 없이 깨끗한 발광구현

특허증 & 인증서



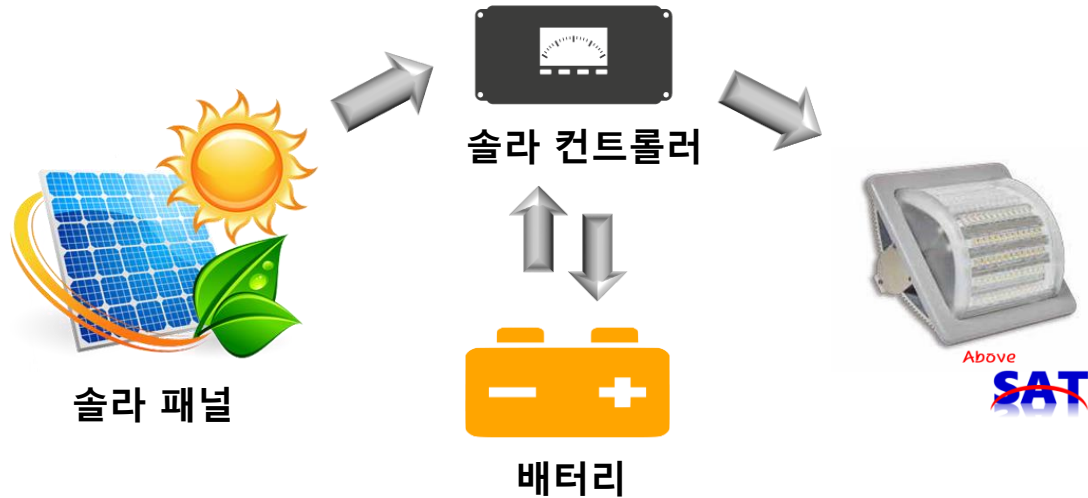
제품 _ 강점



고객 맞춤형 생산



- 다양한 뷰 각도
(10/20/30/40/50/60/80/100 °)
- 융·복합형 LED조명 (e.g. 솔라패널접목형)
- 고객 요구에 따른 LED디자인 가능



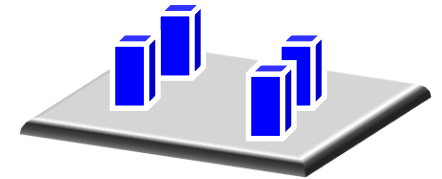
제품 _ 강점



Price down



- 복잡한 부품을 필요로 하지 않는 **SAT만의 기술력**
- 동일한 품질 but 간소화된 부품
-> 불량률 감소
- 하나부터 열까지 자체 생산
-> 비용을 줄여 가격 경쟁력 제고
- 100% Made in Korea



부품 간소화

불량 ↓ 비용 ↓ 가격 ↓



타사제품



복잡한 부품 조립구조

불량 ↑ 비용 ↑ 가격 ↑



PRODUCT

스포츠 조명

(골프장, 축구장, 야구장, 테니스장 등)

선박, 항만, 광산



SFLS-200

SFLS-300

SFLS-400

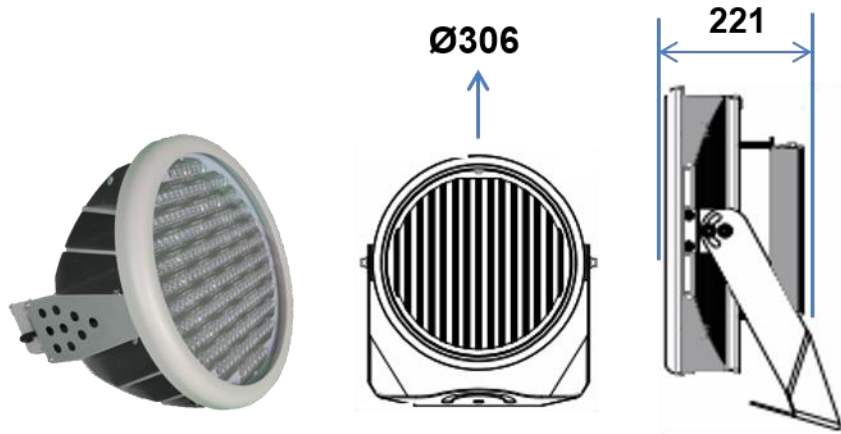
SFLS-600

SFLS-800

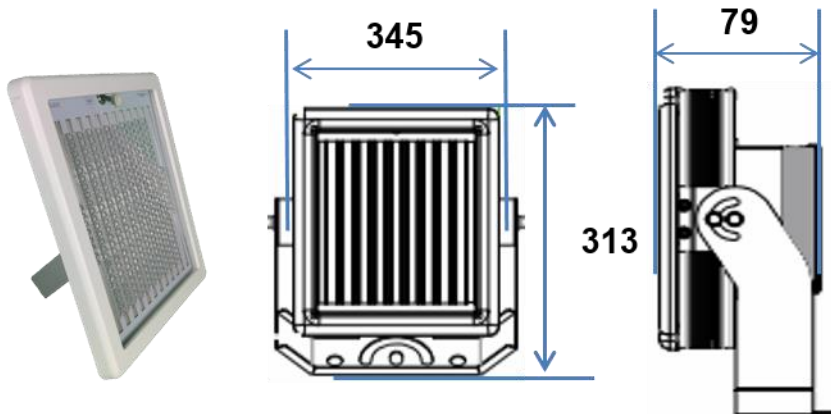
SFLS-1200

SFLS-1400

제품사양 _ 스포츠 조명



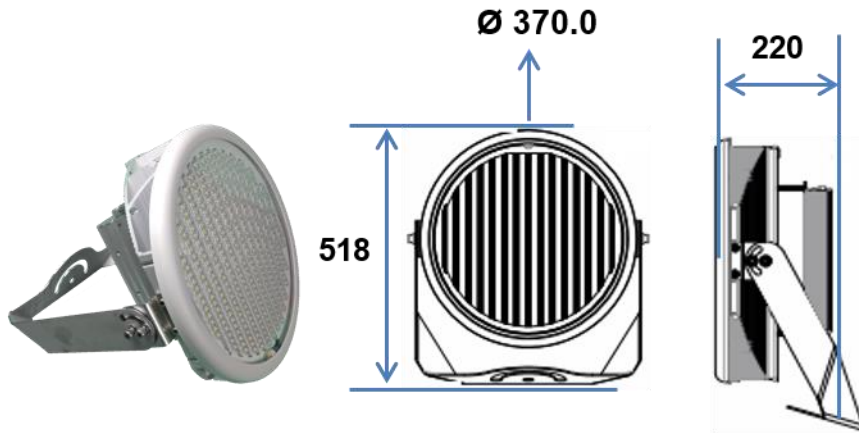
SFLS - 200



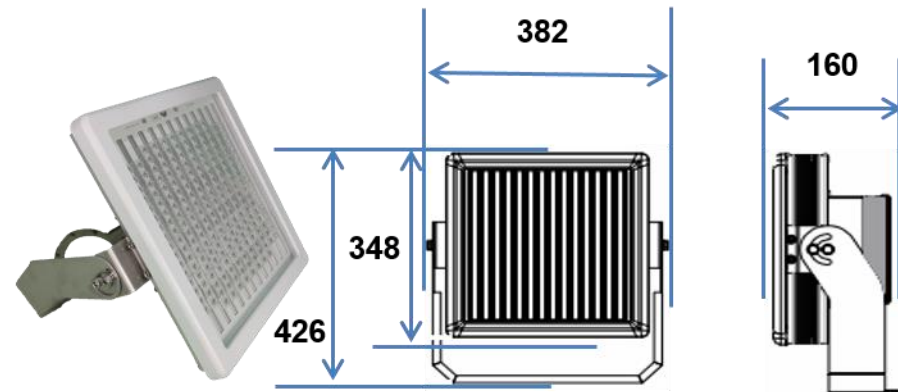
Specification

Input Power	AC 220V / 50~60Hz
Power Consumption	200W
LED Chip	LG, SAMSUNG
Warranty	5 years
CRI (Ra)	> 80
Luminous Efficiency (lm/W)	>110 >120 >130
CCT (Kelvin)	3,000 ~ 6,500K
Power Factor (%)	> 95
Luminous Flux (lm)	>22,000 >24,000 >26,000
View Angle	10/20/30/40/50/60/80/100°
IP Rating	65 (option 67)
Operating Temperature	-40 ~ +50°C
Dimensions	Ø 370 x 221 313 x 345 x 79mm
Weight(kg)	5.78 5.18

제품사양 _ 스포츠 조명



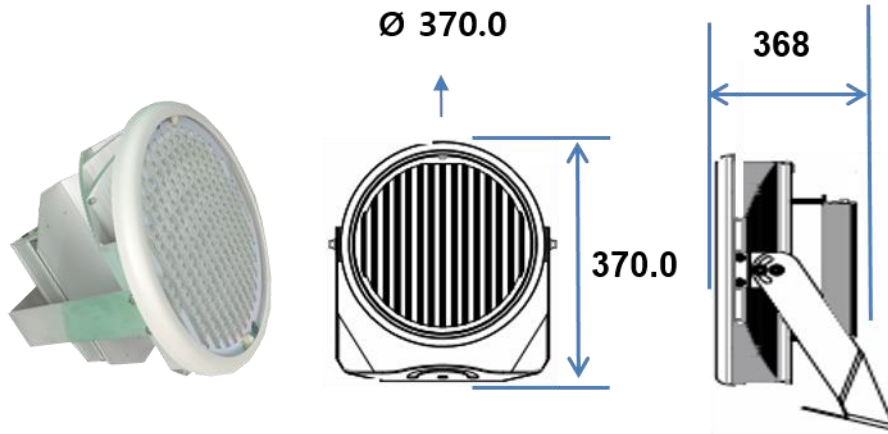
SFLS - 300



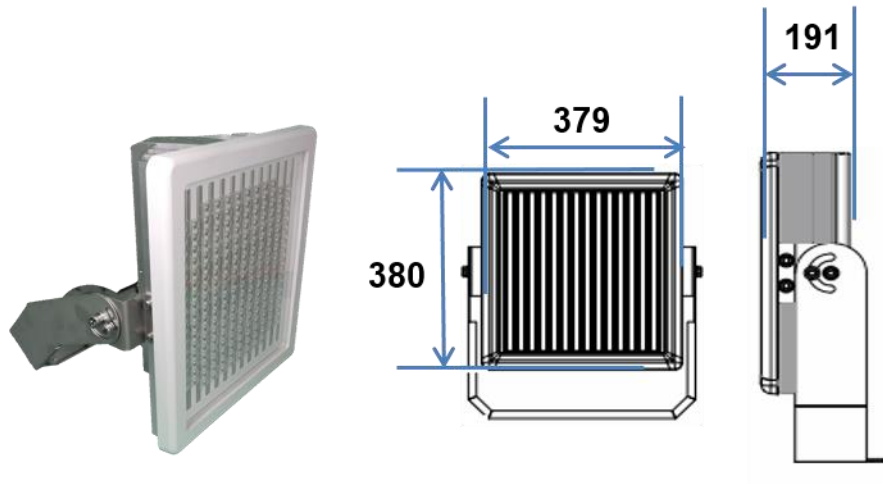
Specification

Input Power	AC 220V / 50~60Hz
Power Consumption	300W
LED Chip	LG, SAMSUNG
Warranty	5 years
CRI (Ra)	> 80
Luminous Efficiency (lm/W)	>110 >120 >130
CCT (Kelvin)	3,000 ~ 6,500K
Power Factor (%)	> 95
Luminous Flux (lm)	>33,000 >36,000 >39,000
View Angle	10/20/30/40/50/60/80/100°
IP Rating	65 (option 67)
Operating Temperature	-40 ~ +50°C
Dimensions	Ø 370 x 160 382 x 348 x 160mm
Weight(kg)	5.78 6.60

제품사양 _ 스포츠 조명



SFLS - 400



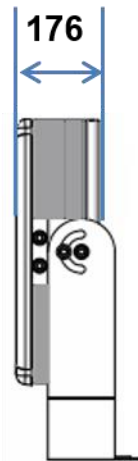
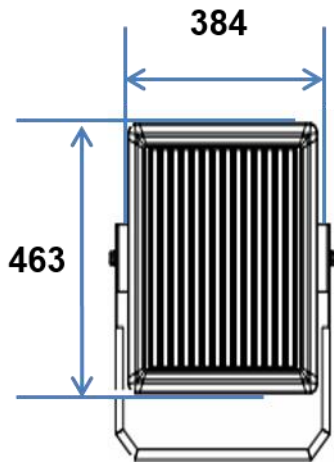
Specification

Input Power	AC 220V / 50~60Hz
Power Consumption	400W
LED Chip	LG, SAMSUNG
Warranty	5 years
CRI (Ra)	> 80
Luminous Efficiency (lm/W)	>110 >120 >130
CCT (Kelvin)	3,000 ~ 6,500K
Power Factor (%)	> 95
Luminous Flux (lm)	>44,000 >48,000 >52,000
View Angle	10/20/30/40/50/60/80/100°
IP Rating	65 (option 67)
Operating Temperature	-40 ~ +50°C
Dimensions	Ø 370 x 224 380 x 380 x 191mm
Weight(kg)	9.9 10.80

제품사양 _ 스포츠 조명



SFLS - 800



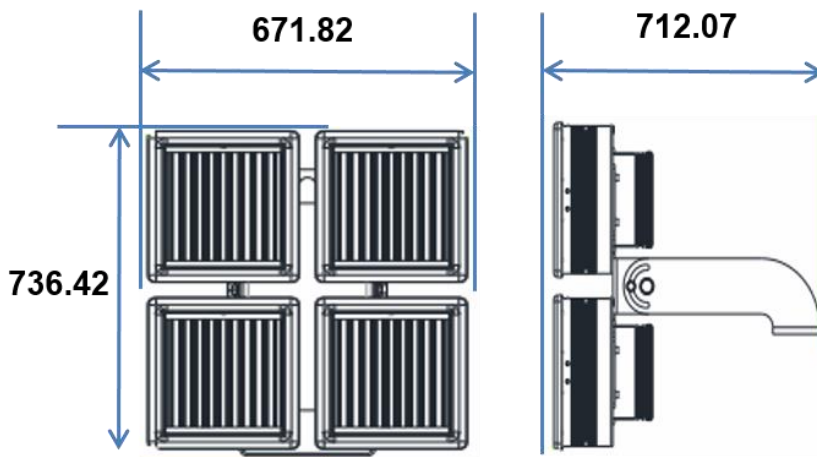
Specification

Input Power	AC 220V / 50~60Hz
Power Consumption	800W
LED Chip	LG, SAMSUNG
Warranty	5 years
CRI (Ra)	> 80
Luminous Efficiency (lm/W)	>110 >130
CCT (Kelvin)	3,000 ~ 6,500K
Power Factor (%)	> 95
Luminous Flux (lm)	>88,000 >104,000
View Angle	10/20/30/40/50/60/80/100°
IP Rating	65 (option 67)
Operating Temperature	-40 ~ +50°C
Dimensions	463 x 384 x 176mm
Weight(kg)	13.0

제품사양 _ 스포츠 조명



SFLS - 1200



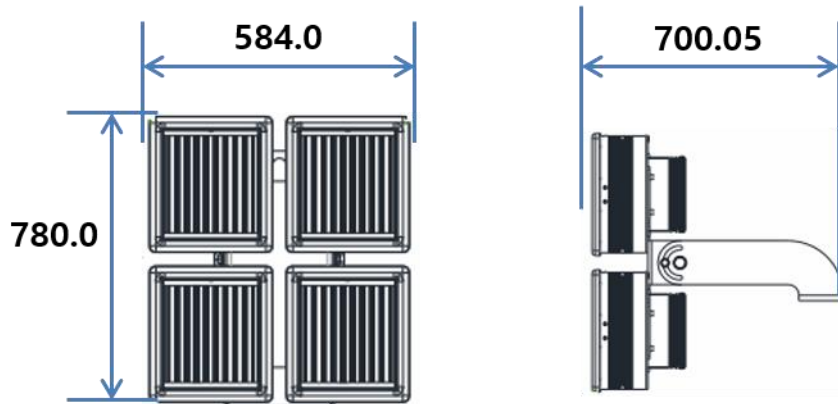
Specification

Input Power	AC 220V / 50~60Hz
Power Consumption	1200W
LED Chip	LG, SAMSUNG
Warranty	5 years
CRI (Ra)	> 80
Luminous Efficiency (lm/W)	110 135 150
CCT (Kelvin)	3,000 ~ 6,500K
Power Factor (%)	> 95
Luminous Flux (lm)	8,800 10,800 12,000
View Angle	10/20/30/40/50/60/80/100°
IP Rating	65 (option 67)
Operating Temperature	-20 ~ +50°C
Dimensions	Ø 269 x 72 296 x 265 x 72mm
Weight(kg)	2.3 3.0

제품사양 _ 스포츠 조명



SFLS - 1400



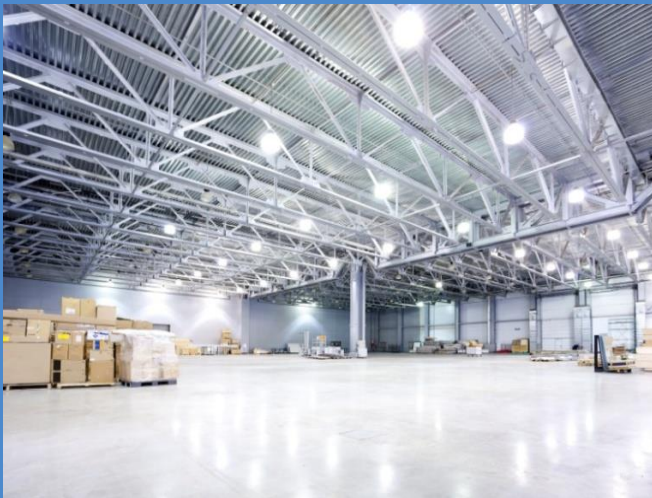
Specification

Input Power	AC 220V / 50~60Hz
Power Consumption	1400W
LED Chip	LG, SAMSUNG
Warranty	5 years
CRI (Ra)	> 80
Luminous Efficiency (lm/W)	>110 >120 >130
CCT (Kelvin)	3,000 ~ 6,500K
Power Factor (%)	> 95
Luminous Flux (lm)	>154,000 >168,000 >182,000
View Angle	10/20/30/40/50/60/80/100°
IP Rating	65 (option 67)
Operating Temperature	-40 ~ +50°C
Dimensions	780 x 584 x 700mm
Weight(kg)	28.4



PRODUCT

공장, 산업용 시설
스포츠 시설



SPL-60

SPL-80

SPL-100

SPL-120

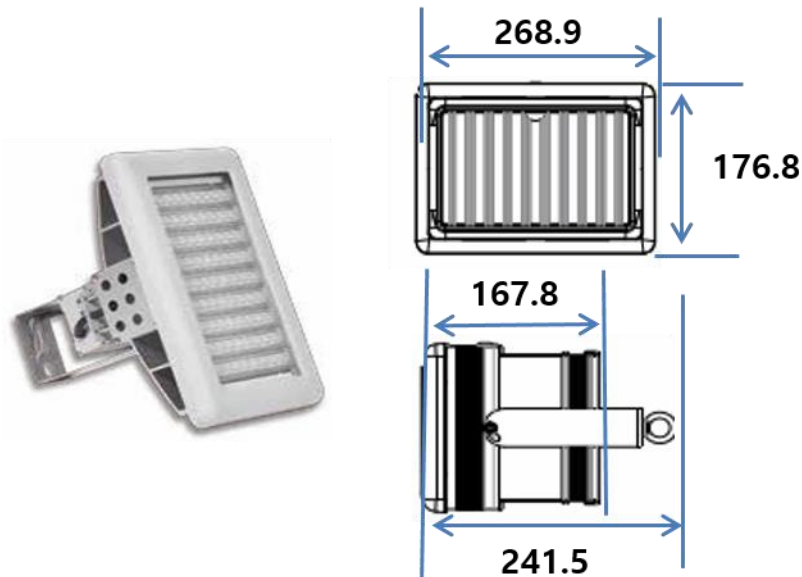
SPL-150

SPL-200

제품사양 _ 산업용 및 스포츠 시설



SPL - 60



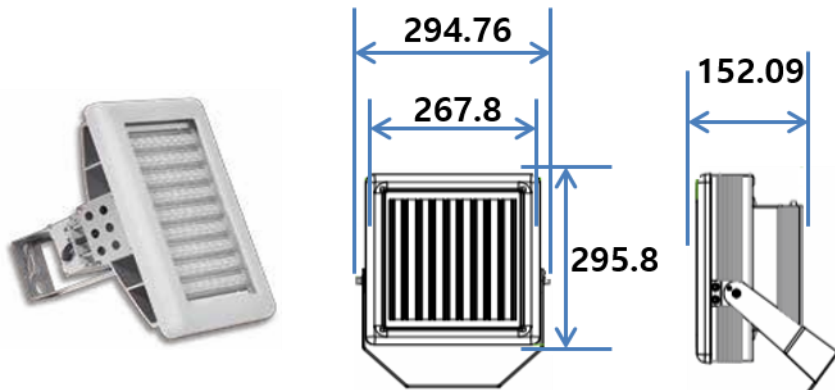
Specification

Input Power	AC 220V / 50~60Hz
Power Consumption	60W
LED Chip	LG, SAMSUNG
Warranty	5 years
CRI (Ra)	> 80
Luminous Efficiency (lm/W)	>110 >130
CCT (Kelvin)	3,000 ~ 6,500K
Power Factor (%)	> 95
Luminous Flux (lm)	>6,600 >7,800
View Angle	10/20/30/40/50/60/80/100°
IP Rating	65 (option 67)
Operating Temperature	-40 ~+50°C
Dimensions	Ø 225 x 67 265 x 177 x 72mm
Weight(kg)	1.8 2.0

제품사양 _ 산업용 및 스포츠 시설



SPL- 80



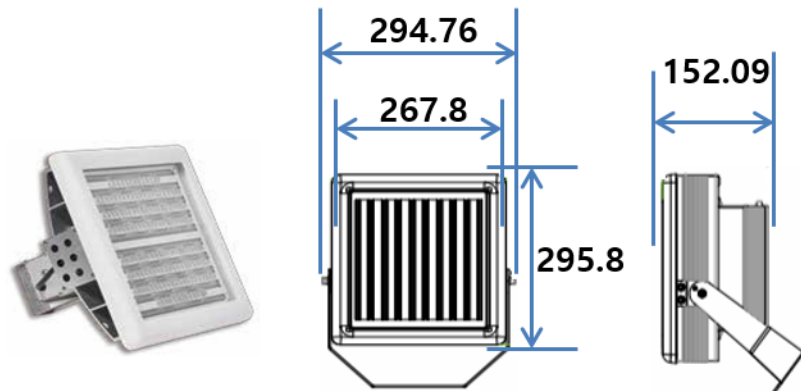
Specification

Input Power	AC 220V / 50~60Hz
Power Consumption	80W
LED Chip	LG, SAMSUNG
Warranty	5 years
CRI (Ra)	> 80
Luminous Efficiency (lm/W)	>110 >130 >150
CCT (Kelvin)	3,000 ~ 6,500K
Power Factor (%)	> 95
Luminous Flux (lm)	>8,000 >10,400 >12,000
View Angle	10/20/30/40/50/60/80/100°
IP Rating	65 (option 67)
Operating Temperature	-40 ~+50°C
Dimensions	Ø 269 x 72 296 x 265 x 72mm
Weight(kg)	2.3 3.0

제품사양 _ 산업용 및 스포츠 시설



SPL- 100



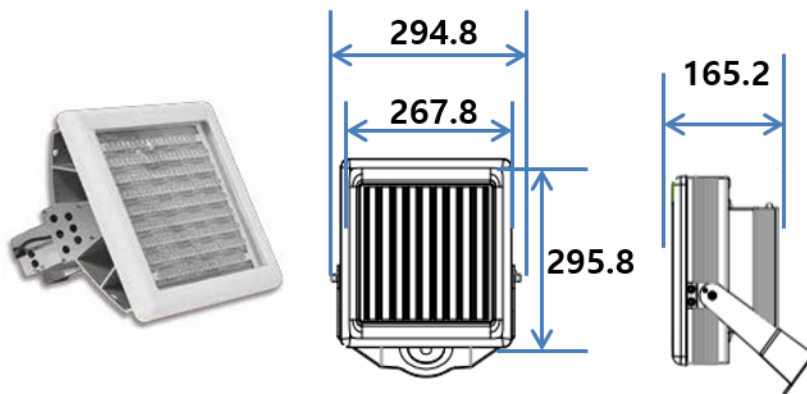
Specification

Input Power	AC 220V / 50~60Hz
Power Consumption	100W
LED Chip	LG, SAMSUNG
Warranty	5 years
CRI (Ra)	> 80
Luminous Efficiency (lm/W)	>110 >130 >150
CCT (Kelvin)	3,000 ~ 6,500K
Power Factor (%)	> 95
Luminous Flux (lm)	>11,000 >13,000 >15,000
View Angle	10/20/30/40/50/60/80/100°
IP Rating	65 (option 67)
Operating Temperature	-40 ~+50°C
Dimensions	Ø 269 x 72 296 x 265 x 72mm
Weight(kg)	2.4 3.2

제품사양 _ 산업용 및 스포츠 시설



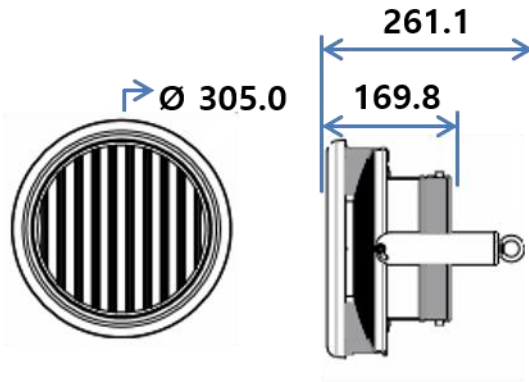
SPL- 120



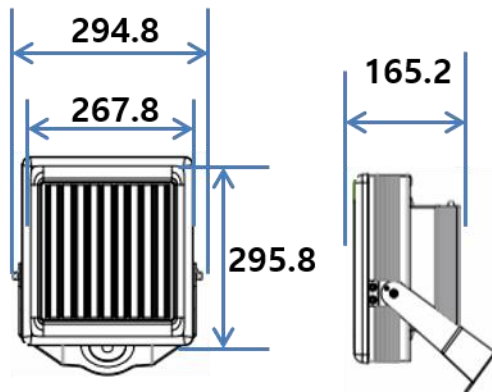
Specification

Input Power	AC 220V / 50~60Hz
Power Consumption	120W
LED Chip	LG, SAMSUNG
Warranty	5 years
CRI (Ra)	> 80
Luminous Efficiency (lm/W)	>110 >130
CCT (Kelvin)	3,000 ~ 6,500K
Power Factor (%)	> 95
Luminous Flux (lm)	>13,200 >15,600
View Angle	10/20/30/40/50/60/80/100°
IP Rating	65 (option 67)
Operating Temperature	-40 ~+50°C
Dimensions	Ø 269 x 72 296 x 265 x 72mm
Weight(kg)	2.80 3.34

제품사양 _ 산업용 및 스포츠 시설



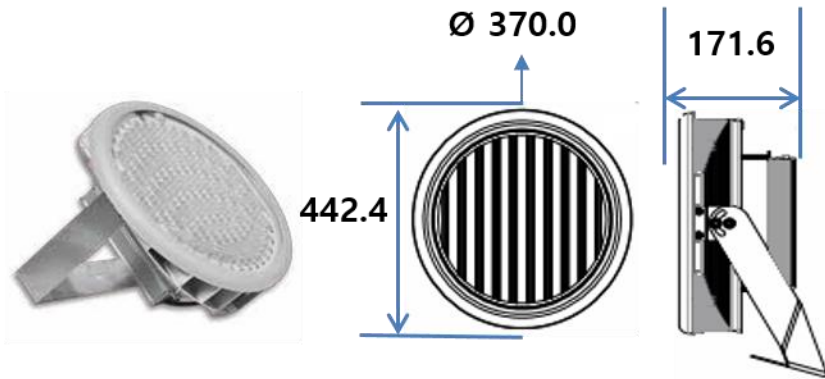
SPL- 150



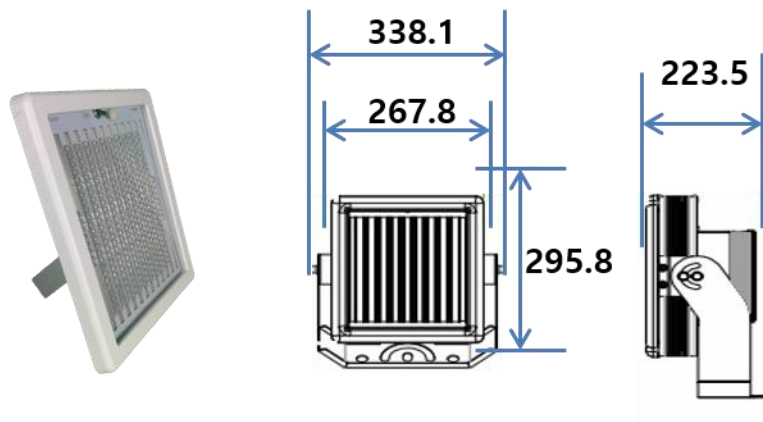
Specification

Input Power	AC 220V / 50~60Hz
Power Consumption	150W
LED Chip	LG, SAMSUNG
Warranty	5 years
CRI (Ra)	> 80
Luminous Efficiency (lm/W)	>110 >130 >150
CCT (Kelvin)	3,000 ~ 6,500K
Power Factor (%)	> 95
Luminous Flux (lm)	>16,500 >19,500 >22,500
View Angle	10/20/30/40/50/60/80/100°
IP Rating	65 (option 67)
Operating Temperature	-40 ~ +50°C
Dimensions	Ø 305 x 94 296 x 265 x 118mm
Weight(kg)	3.74 4.66

제품사양 _ 산업용 및 스포츠 시설



SPL- 200

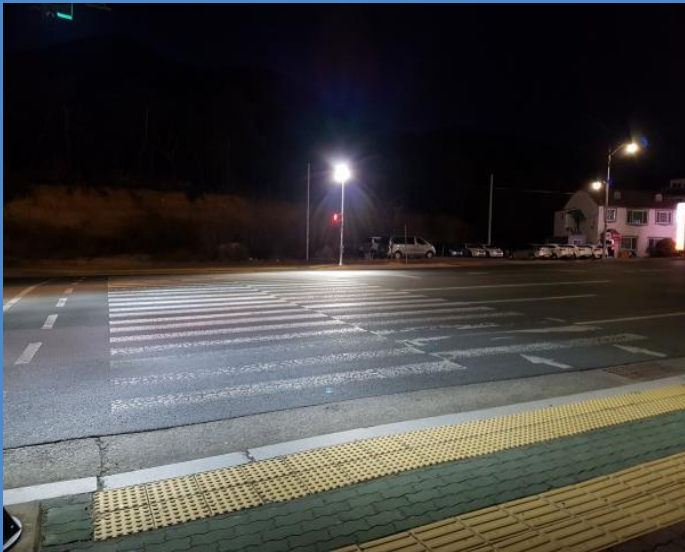


Specification

Input Power	AC 220V / 50~60Hz
Power Consumption	200W
LED Chip	LG, SAMSUNG
Warranty	5 years
CRI (Ra)	> 80
Luminous Efficiency (lm/W)	>110 >130
CCT (Kelvin)	3,000 ~ 6,500K
Power Factor (%)	> 95
Luminous Flux (lm)	>22,000 >26,000
View Angle	10/20/30/40/50/60/80/100°
IP Rating	65 (option 67)
Operating Temperature	-40 ~ +50°C
Dimensions	Ø 370 x 92 296 x 265 x 118mm
Weight(kg)	5.78 5.18

PRODUCT

횡단보도등



SSL-25

SSL-40

SSL/SFL-60

SSL/SFL-80

SSL/SFL-100

SSL/SFL-120



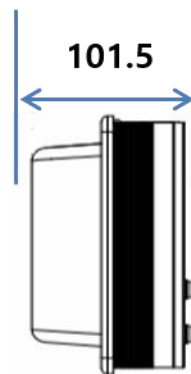
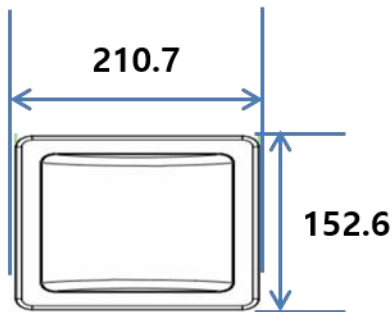
제품사양 _ 횡단보도등



Specification



SSL - 25

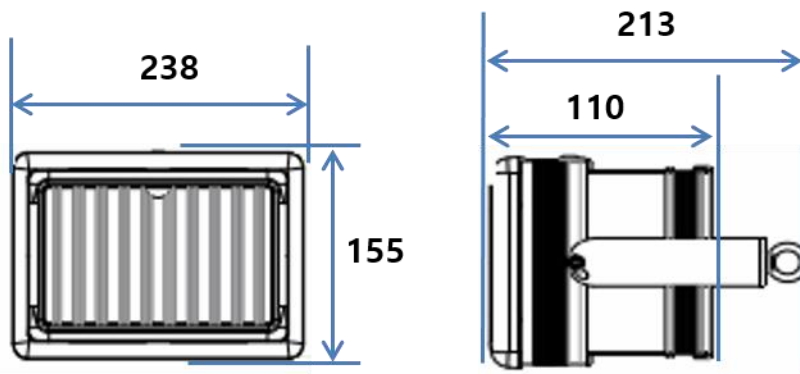


Input Power	AC 220V / 50~60Hz
Power Consumption	25W
LED Chip	LG, SAMSUNG
Warranty	5 years
CRI (Ra)	> 80
Luminous Efficiency (lm/W)	>110
CCT (Kelvin)	3,000 ~ 6,500K
Power Factor (%)	> 95
Luminous Flux (lm)	>2,750
View Angle	150°
IP Rating	65 (option 67)
Operating Temperature	-40 ~ +50°C
Dimensions	210.7 x 152.6 x 101.5mm
Weight(kg)	0.96

제품사양 _ 횡단보도등



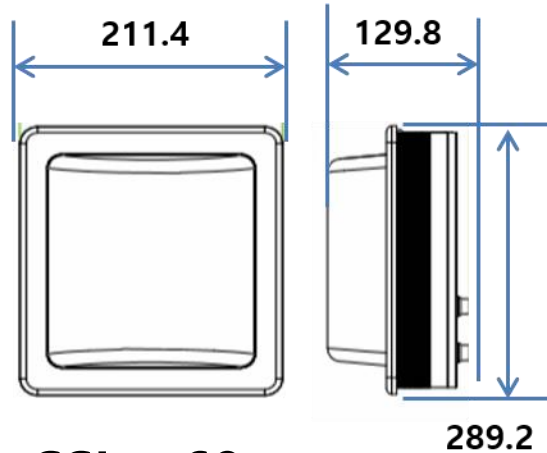
SSL - 40



Specification

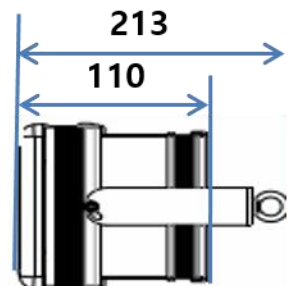
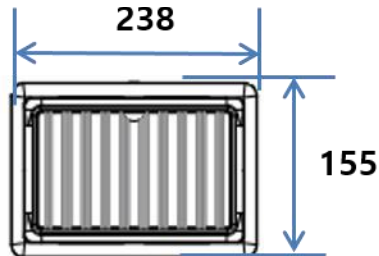
Input Power	AC 220V / 50~60Hz
Power Consumption	40W
LED Chip	LG, SAMSUNG
Warranty	5 years
CRI (Ra)	> 80
Luminous Efficiency (lm/W)	>110
CCT (Kelvin)	3,000 ~ 6,500K
Power Factor (%)	> 95
Luminous Flux (lm)	>4,400
View Angle	150°
IP Rating	65 (option 67)
Operating Temperature	-40 ~ +50°C
Dimensions	238 x 155 x 72mm
Weight(kg)	1.8

제품사양 _ 횡단보도등



SSL - 60

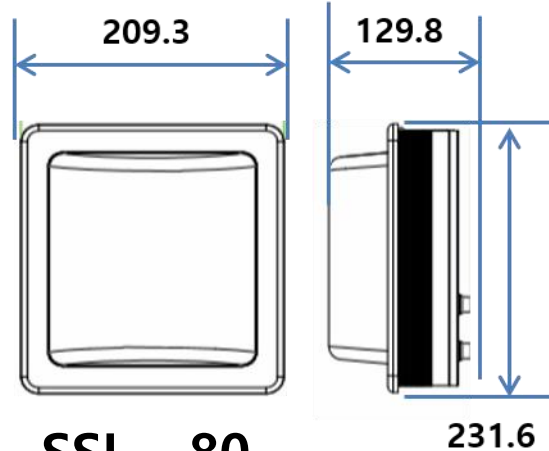
SFL - 60



Specification

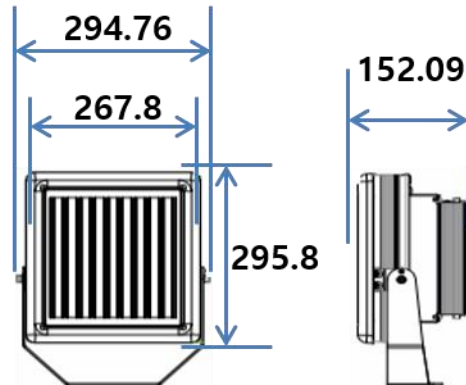
Input Power	AC 220V / 50~60Hz
Power Consumption	60W
LED Chip	LG, SAMSUNG
Warranty	5 years
CRI (Ra)	> 80
Luminous Efficiency (lm/W)	>110
CCT (Kelvin)	3,000 ~ 6,500K
Power Factor (%)	> 95
Luminous Flux (lm)	>6,600
View Angle	10/20/30/40/50/60/80/100°
IP Rating	65 (option 67)
Operating Temperature	-40 ~+50°C
Dimensions	230 x 210 x 117mm 265 x 177 x 72mm
Weight(kg)	1.6 2.0

제품사양 _ 횡단보도등



SSL - 80

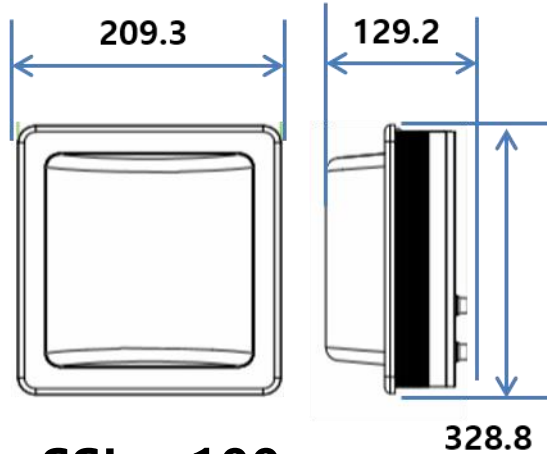
SFL - 80



Specification

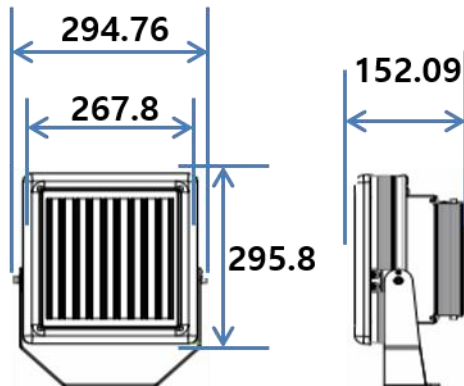
Input Power	AC 220V / 50~60Hz
Power Consumption	80W
LED Chip	LG, SAMSUNG
Warranty	5 years
CRI (Ra)	> 80
Luminous Efficiency (lm/W)	>110
CCT (Kelvin)	3,000 ~ 6,500K
Power Factor (%)	> 95
Luminous Flux (lm)	>8,800
View Angle	10/20/30/40/50/60/80/100°
IP Rating	65 (option 67)
Operating Temperature	-40 ~ +50°C
Dimensions	290 x 210 x 117mm 296 x 265 x 72mm
Weight(kg)	2.0 3.0

제품사양 _ 횡단보도등



SSL - 100

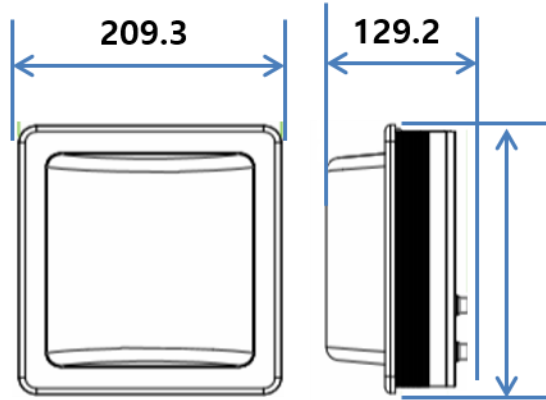
SFL - 100



Specification

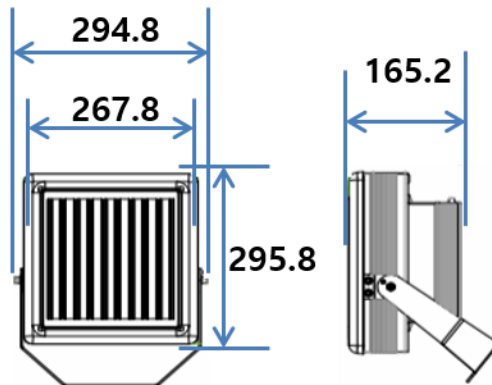
Input Power	AC 220V / 50~60Hz
Power Consumption	100W
LED Chip	LG, SAMSUNG
Warranty	5 years
CRI (Ra)	> 80
Luminous Efficiency (lm/W)	>110
CCT (Kelvin)	3,000 ~ 6,500K
Power Factor (%)	> 95
Luminous Flux (lm)	>11,000
View Angle	10/20/30/40/50/60/80/100°
IP Rating	65 (option 67)
Operating Temperature	-40 ~ +50°C
Dimensions	328 x 210 x 117mm 296 x 265 x 72mm
Weight(kg)	2.8 3.2

제품사양 _ 횡단보도등



SSL - 120

SFL - 120



Specification

Input Power	AC 220V / 50~60Hz
Power Consumption	120W
LED Chip	LG, SAMSUNG
Warranty	5 years
CRI (Ra)	> 80
Luminous Efficiency (lm/W)	>110
CCT (Kelvin)	3,000 ~ 6,500K
Power Factor (%)	> 95
Luminous Flux (lm)	>13,200
View Angle	10/20/30/40/50/60/80/100°
IP Rating	65 (option 67)
Operating Temperature	-40 ~ +50°C
Dimensions	209.3 x 328.8 x 117.6 296 x 265 x 72mm
Weight(kg)	3.4 3.34

PRODUCT

상가, 공원



SKL-15

SKL-20



SKL - 15



Specification

Input Power	AC 220V / 50~60Hz
Power Consumption	15W
LED Chip	LG, SAMSUNG
Warranty	5 years
CRI (Ra)	> 80
Luminous Efficiency (lm/W)	>110
CCT (Kelvin)	3,000 ~ 6,500K
Power Factor (%)	> 95
Luminous Flux (lm)	>1,650
View Angle	150°
IP Rating	65 (option 67)
Operating Temperature	-40 ~+50°C
Dimensions	
Weight(kg)	0.36

제품사양 _ 상가, 공원

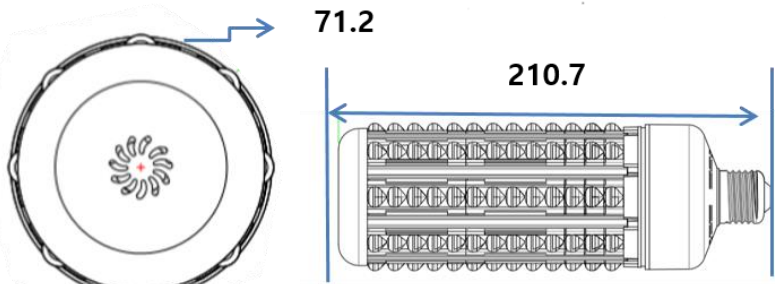


SKL - 20



Ø
71.2

210.7



Specification

Input Power	AC 220V / 50~60Hz
Power Consumption	20W
LED Chip	LG, SAMSUNG
Warranty	5 years
CRI (Ra)	> 80
Luminous Efficiency (lm/W)	>110
CCT (Kelvin)	3,000 ~ 6,500K
Power Factor (%)	> 95
Luminous Flux (lm)	>2,200
View Angle	150°
IP Rating	65 (option 67)
Operating Temperature	-40 ~ +50°C
Dimensions	Ø 71.2 x 210.7 mm
Weight(kg)	0.38

PRODUCT

가로등, 보안등
태양광 보안등



SSL-25

SSL-35

SSL-60

SSL-80

SSL-100

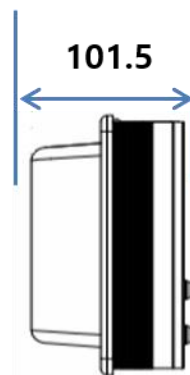
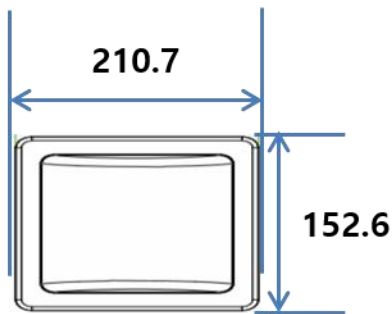
SSL-120

SSL-150

제품사양 _ 가로등, 보안등, 태양광 보안등



SSL - 25



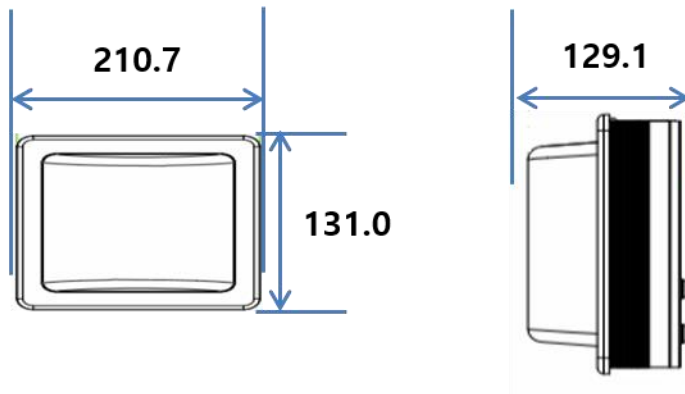
Specification

Input Power	AC 220V / 50~60Hz
Power Consumption	25W
LED Chip	LG, SAMSUNG
Warranty	5 years
CRI (Ra)	> 80
Luminous Efficiency (lm/W)	>110
CCT (Kelvin)	3,000 ~ 6,500K
Power Factor (%)	> 95
Luminous Flux (lm)	>2,750
View Angle	150°
IP Rating	65 (option 67)
Operating Temperature	-40 ~ +50°C
Dimensions	210.7 x 152.6 x 101.5mm
Weight(kg)	0.96

제품사양 _ 가로등, 보안등, 태양광 보안등



SSL - 35



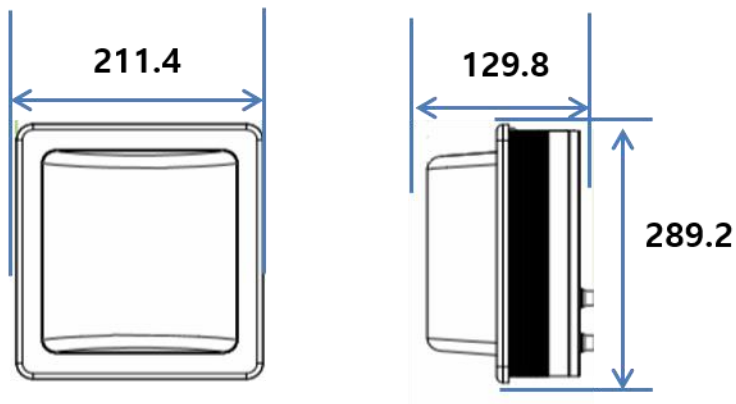
Specification

Input Power	AC 220V / 50~60Hz
Power Consumption	35W
LED Chip	LG, SAMSUNG
Warranty	5 years
CRI (Ra)	> 80
Luminous Efficiency (lm/W)	>110
CCT (Kelvin)	3,000 ~ 6,500K
Power Factor (%)	> 95
Luminous Flux (lm)	>3,850
View Angle	150°
IP Rating	65 (option 67)
Operating Temperature	-40 ~ +50°C
Dimensions	210.7 x 131.0 x 129.1mm
Weight(kg)	1.2

제품사양 _ 가로등, 보안등, 태양광 보안등



SSL - 60



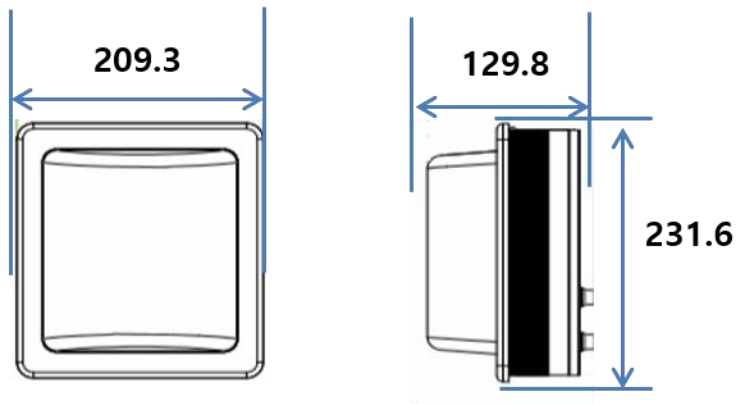
Specification

Input Power	AC 220V / 50~60Hz
Power Consumption	60W
LED Chip	LG, SAMSUNG
Warranty	5 years
CRI (Ra)	> 80
Luminous Efficiency (lm/W)	>110 >130
CCT (Kelvin)	3,000 ~ 6,500K
Power Factor (%)	> 95
Luminous Flux (lm)	>6,600 >7,800
View Angle	150°
IP Rating	65 (option 67)
Operating Temperature	-40 ~+50°C
Dimensions	230 x 210 x 117mm
Weight(kg)	1.6

제품사양 _ 가로등, 보안등, 태양광 보안등



SSL - 80



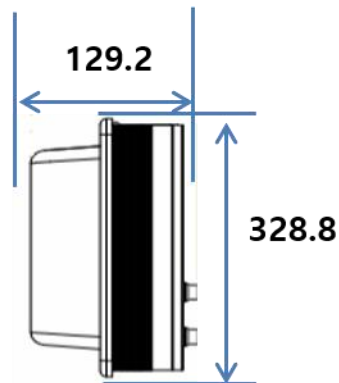
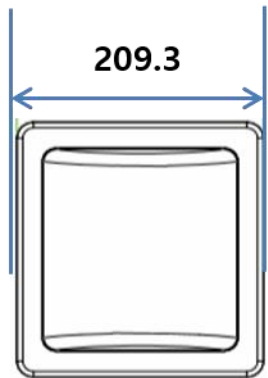
Specification

Input Power	AC 220V / 50~60Hz
Power Consumption	80W
LED Chip	LG, SAMSUNG
Warranty	5 years
CRI (Ra)	> 80
Luminous Efficiency (lm/W)	>110 >130
CCT (Kelvin)	3,000 ~ 6,500K
Power Factor (%)	> 95
Luminous Flux (lm)	>8,800 >10,400
View Angle	150°
IP Rating	65 (option 67)
Operating Temperature	-40 ~ +50°C
Dimensions	290 x 210 x 117mm
Weight(kg)	2.0

제품사양 _ 가로등, 보안등, 태양광 보안등



SSL - 100



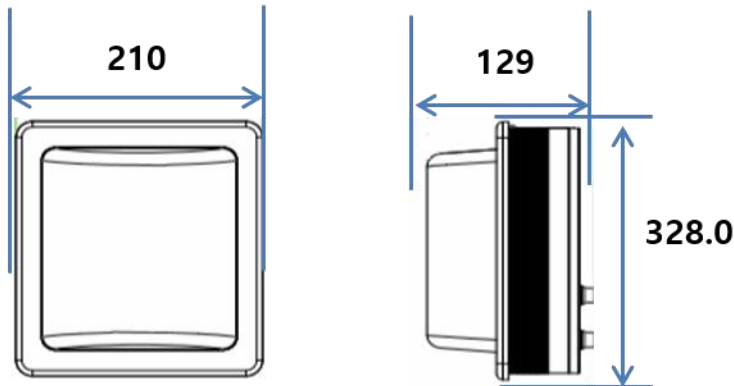
Specification

Input Power	AC 220V / 50~60Hz
Power Consumption	100W
LED Chip	LG, SAMSUNG
Warranty	5 years
CRI (Ra)	> 80
Luminous Efficiency (lm/W)	>110 >130
CCT (Kelvin)	3,000 ~ 6,500K
Power Factor (%)	> 95
Luminous Flux (lm)	>11,000 >13,000
View Angle	150°
IP Rating	65 (option 67)
Operating Temperature	-40 ~ +50°C
Dimensions	328 x 210 x 117mm
Weight(kg)	2.8

제품사양 _ 가로등, 보안등, 태양광 보안등



SSL - 120



Specification

Input Power	AC 220V / 50~60Hz
Power Consumption	120W
LED Chip	LG, SAMSUNG
Warranty	5 years
CRI (Ra)	> 80
Luminous Efficiency (lm/W)	>110 >130
CCT (Kelvin)	3,000 ~ 6,500K
Power Factor (%)	> 95
Luminous Flux (lm)	>13,200 >15,600
View Angle	150°
IP Rating	65 (option 67)
Operating Temperature	-40 ~ +50°C
Dimensions	328 x 210 x 117mm
Weight(kg)	3.3

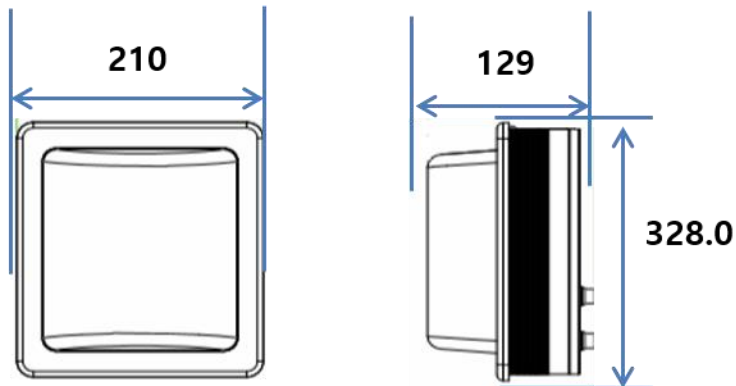
제품사양 _ 가로등, 보안등, 태양광 보안등



SSL - 150

Specification

Input Power	AC 220V / 50~60Hz
Power Consumption	150W
LED Chip	LG, SAMSUNG
Warranty	5 years
CRI (Ra)	> 80
Luminous Efficiency (lm/W)	>110 >130
CCT (Kelvin)	3,000 ~ 6,500K
Power Factor (%)	> 95
Luminous Flux (lm)	>16,500 >19,500
View Angle	150°
IP Rating	65 (option 67)
Operating Temperature	-40 ~ +50°C
Dimensions	328 x 210 x 117mm
Weight(kg)	3.3



PRODUCT

간판등



SSL-25

SSL-35

SFL-60

SFL-80

SFL-100

SFL-120

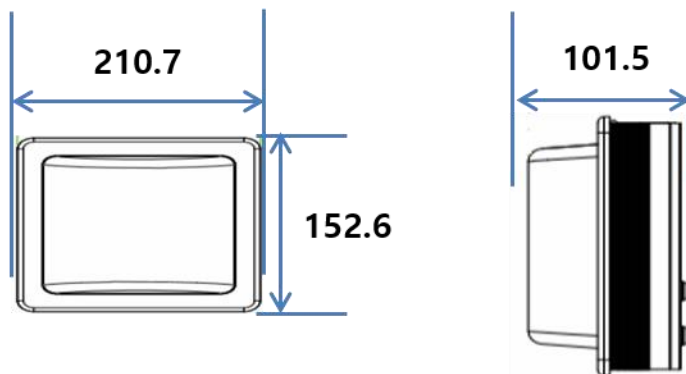
SFL-150



제품사양 _ 간판등



SSL - 25



Specification

Input Power	AC 220V / 50~60Hz
Power Consumption	25W
LED Chip	LG, SAMSUNG
Warranty	5 years
CRI (Ra)	> 80
Luminous Efficiency (lm/W)	>110
CCT (Kelvin)	3,000 ~ 6,500K
Power Factor (%)	> 95
Luminous Flux (lm)	>2,750
View Angle	150°
IP Rating	65 (option 67)
Operating Temperature	-40 ~ +50°C
Dimensions	210.7 x 152.6 x 101.5mm
Weight(kg)	0.96

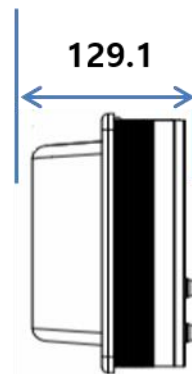
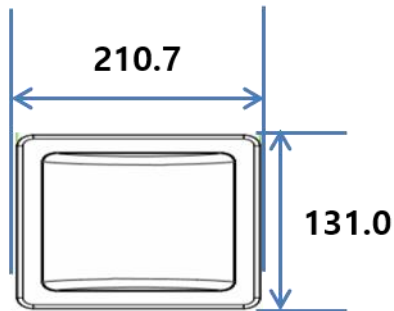
제품사양 _ 간판등



SSL - 35

Specification

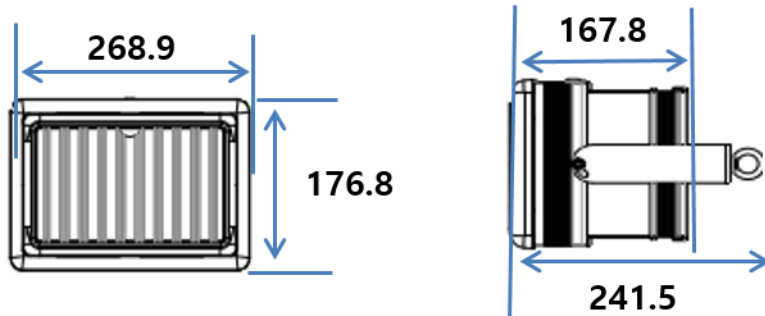
Input Power	AC 220V / 50~60Hz
Power Consumption	35W
LED Chip	LG, SAMSUNG
Warranty	5 years
CRI (Ra)	> 80
Luminous Efficiency (lm/W)	>110
CCT (Kelvin)	3,000 ~ 6,500K
Power Factor (%)	> 95
Luminous Flux (lm)	>3,850
View Angle	150°
IP Rating	65 (option 67)
Operating Temperature	-40 ~ +50°C
Dimensions	210.7 x 131.0 x 129.1mm
Weight(kg)	1.2



제품사양 _ 간판등



SFL - 60



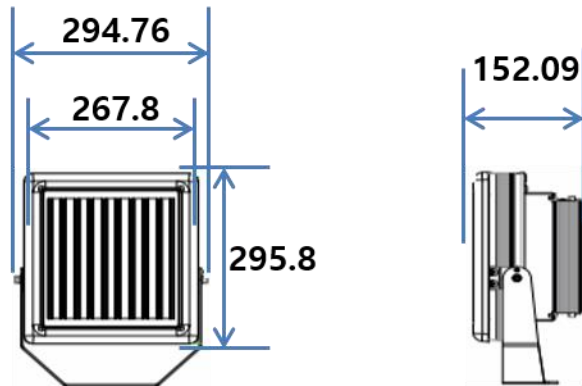
Specification

Input Power	AC 220V / 50~60Hz
Power Consumption	60W
LED Chip	LG, SAMSUNG
Warranty	5 years
CRI (Ra)	> 80
Luminous Efficiency (lm/W)	>110 >130
CCT (Kelvin)	3,000 ~ 6,500K
Power Factor (%)	> 95
Luminous Flux (lm)	>6,600 >7,800
View Angle	10/20/30/40/50/60/80/100°
IP Rating	65 (option 67)
Operating Temperature	-40 ~ +50°C
Dimensions	265 x 177 x 72mm
Weight(kg)	2.0

제품사양 _ 간판등



SFL - 80



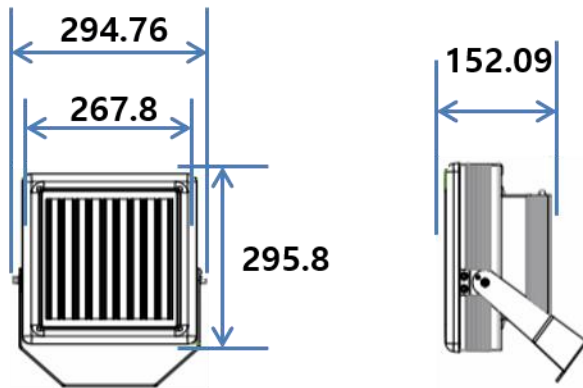
Specification

Input Power	AC 220V / 50~60Hz
Power Consumption	80W
LED Chip	LG, SAMSUNG
Warranty	5 years
CRI (Ra)	> 80
Luminous Efficiency (lm/W)	>110 >130
CCT (Kelvin)	3,000 ~ 6,500K
Power Factor (%)	> 95
Luminous Flux (lm)	>8,000 >10,400
View Angle	10/20/30/40/50/60/80/100°
IP Rating	65 (option 67)
Operating Temperature	-40 ~ +50°C
Dimensions	296 x 265 x 72mm
Weight(kg)	3.0

제품사양 _ 간판등



SFL - 100



Specification

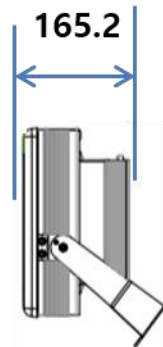
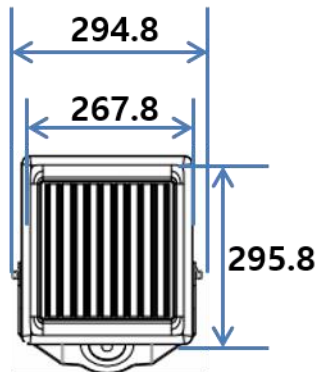
Input Power	AC 220V / 50~60Hz
Power Consumption	100W
LED Chip	LG, SAMSUNG
Warranty	5 years
CRI (Ra)	> 80
Luminous Efficiency (lm/W)	>110 >130
CCT (Kelvin)	3,000 ~ 6,500K
Power Factor (%)	> 95
Luminous Flux (lm)	>11,000 >13,000
View Angle	10/20/30/40/50/60/80/100°
IP Rating	65 (option 67)
Operating Temperature	-40 ~ +50°C
Dimensions	296 x 265 x 72mm
Weight(kg)	3.2



Specification



SFL - 120

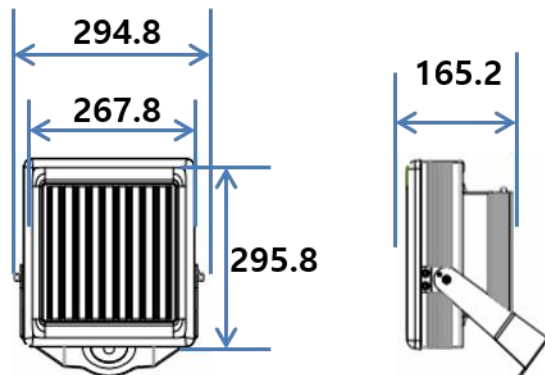


Input Power	AC 220V / 50~60Hz
Power Consumption	120W
LED Chip	LG, SAMSUNG
Warranty	5 years
CRI (Ra)	> 80
Luminous Efficiency (lm/W)	>110 >130
CCT (Kelvin)	3,000 ~ 6,500K
Power Factor (%)	> 95
Luminous Flux (lm)	>13,200 >15,600
View Angle	10/20/30/40/50/60/80/100°
IP Rating	65 (option 67)
Operating Temperature	-40 ~ +50°C
Dimensions	296 x 265 x 72mm
Weight(kg)	3.34

제품사양 _ 간판등



SFL - 150



Specification

Input Power	AC 220V / 50~60Hz
Power Consumption	150W
LED Chip	LG, SAMSUNG
Warranty	5 years
CRI (Ra)	> 80
Luminous Efficiency (lm/W)	>110 >130
CCT (Kelvin)	3,000 ~ 6,500K
Power Factor (%)	> 95
Luminous Flux (lm)	>16,500 >19,50
View Angle	10/20/30/40/50/60/80/100°
IP Rating	65 (option 67)
Operating Temperature	-40 ~ +50°C
Dimensions	296 x 265 x 118mm
Weight(kg)	4.66

PRODUCT

집어등



SFLL-200

SFLL-300

SFLL-400



SFLL - 200



Specification

Input Power	AC 220V / 50~60Hz
Power Consumption	200W
LED Chip	LG, SAMSUNG
Warranty	5 years
CRI (Ra)	> 80
Luminous Efficiency (lm/W)	>110 >130
CCT (Kelvin)	3,000 ~ 6,500K
Power Factor (%)	> 95
Luminous Flux (lm)	>22,000 >26,000
View Angle	
IP Rating	65 (option 67)
Operating Temperature	-40 ~+50°C
Dimensions	
Weight(kg)	



SFLL - 300



Specification

Input Power	
Power Consumption	300W
LED Chip	LG, SAMSUNG
Warranty	5 years
CRI (Ra)	> 80
Luminous Efficiency (lm/W)	>110 >130
CCT (Kelvin)	3,000 ~ 6,500K
Power Factor (%)	> 95
Luminous Flux (lm)	>33,000 >39,000
View Angle	
IP Rating	65 (option 67)
Operating Temperature	-40 ~ +50°C
Dimensions	
Weight(kg)	



SFLL - 400



Specification

Input Power	
Power Consumption	400W
LED Chip	LG, SAMSUNG
Warranty	5 years
CRI (Ra)	> 80
Luminous Efficiency (lm/W)	>110 >130
CCT (Kelvin)	3,000 ~ 6,500K
Power Factor (%)	> 95
Luminous Flux (lm)	>44,000 >52,000
View Angle	
IP Rating	
Operating Temperature	
Dimensions	
Weight(kg)	

PRODUCT

선박등



SFL-60

SFL-100

SFL-150

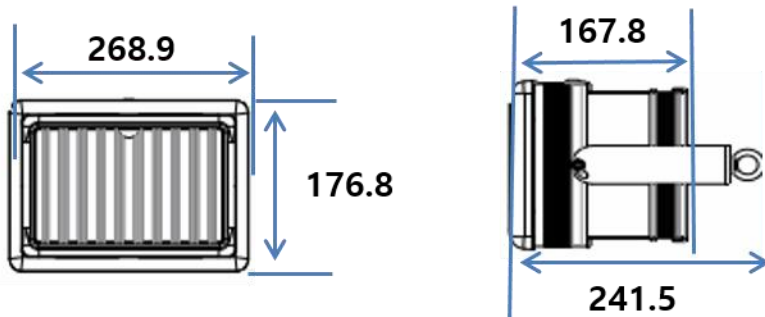
SFL-200

SFL-300

제품사양 _ 선박등



SFL - 60



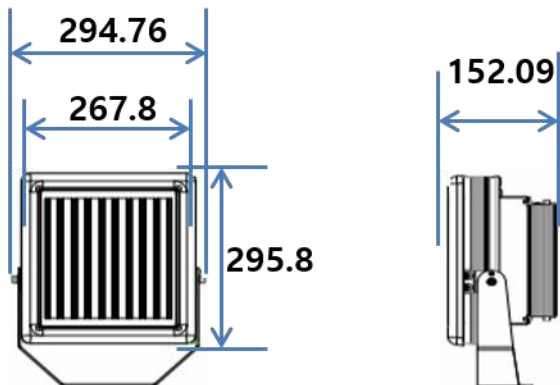
Specification

Input Power	AC 220V / 50~60Hz
Power Consumption	60W
LED Chip	LG, SAMSUNG
Warranty	5 years
CRI (Ra)	> 80
Luminous Efficiency (lm/W)	>110 >130
CCT (Kelvin)	3,000 ~ 6,500K
Power Factor (%)	> 95
Luminous Flux (lm)	>6,600 >7,800
View Angle	10/20/30/40/50/60/80/100°
IP Rating	65 (option 67)
Operating Temperature	-40 ~ +50°C
Dimensions	265 x 177 x 72mm
Weight(kg)	2.0

제품사양 _ 선박등



SFL - 100



Specification

Input Power	AC 220V / 50~60Hz
Power Consumption	100W
LED Chip	LG, SAMSUNG
Warranty	5 years
CRI (Ra)	> 80
Luminous Efficiency (lm/W)	>110 >130
CCT (Kelvin)	3,000 ~ 6,500K
Power Factor (%)	> 95
Luminous Flux (lm)	>11,000 >13,000
View Angle	10/20/30/40/50/60/80/100°
IP Rating	65 (option 67)
Operating Temperature	-40 ~ +50°C
Dimensions	296 x 265 x 72mm
Weight(kg)	3.2

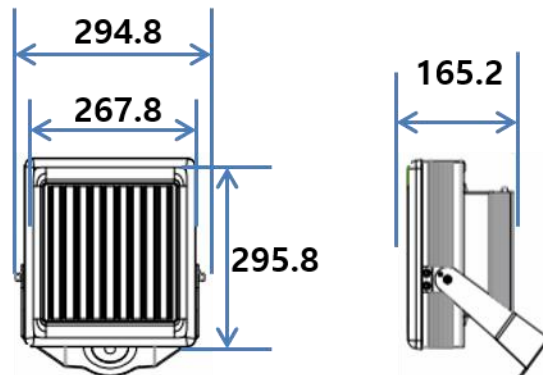
제품사양 _ 선박등



Specification



SFL - 150

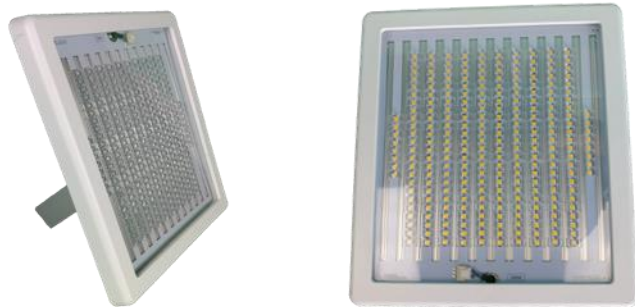


Input Power	AC 220V / 50~60Hz
Power Consumption	150W
LED Chip	LG, SAMSUNG
Warranty	5 years
CRI (Ra)	> 80
Luminous Efficiency (lm/W)	>110 >130
CCT (Kelvin)	3,000 ~ 6,500K
Power Factor (%)	> 95
Luminous Flux (lm)	>16,500 >19,50
View Angle	10/20/30/40/50/60/80/100°
IP Rating	65 (option 67)
Operating Temperature	-40 ~ +50°C
Dimensions	296 x 265 x 118mm
Weight(kg)	4.66

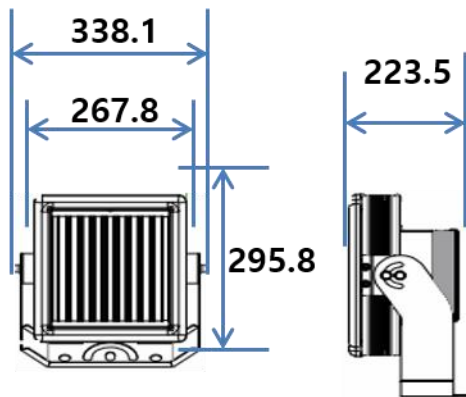
제품사양 _ 선박등



Specification



SFL - 200

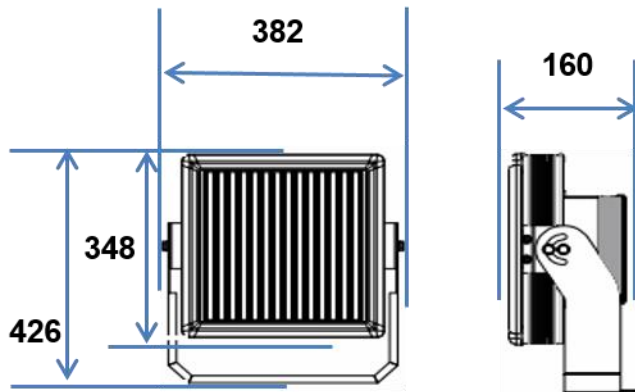


Input Power	AC 220V / 50~60Hz
Power Consumption	200W
LED Chip	LG, SAMSUNG
Warranty	5 years
CRI (Ra)	> 80
Luminous Efficiency (lm/W)	>110 >130
CCT (Kelvin)	3,000 ~ 6,500K
Power Factor (%)	> 95
Luminous Flux (lm)	>22,000 >26,000
View Angle	10/20/30/40/50/60/80/100°
IP Rating	65 (option 67)
Operating Temperature	-40 ~ +50°C
Dimensions	296 x 265 x 118mm
Weight(kg)	5.18

제품사양 _ 선박등



SFL - 300



Specification

Input Power	AC 220V / 50~60Hz
Power Consumption	300W
LED Chip	LG, SAMSUNG
Warranty	5 years
CRI (Ra)	> 80
Luminous Efficiency (lm/W)	>110 >130
CCT (Kelvin)	3,000 ~ 6,500K
Power Factor (%)	> 95
Luminous Flux (lm)	>33,000 >39,000
View Angle	10/20/30/40/50/60/80/100°
IP Rating	65 (option 67)
Operating Temperature	-40 ~ +50°C
Dimensions	382 x 348 x 160mm
Weight(kg)	6.60



PRODUCT

해충 퇴치등
(축사, 캠핑장)



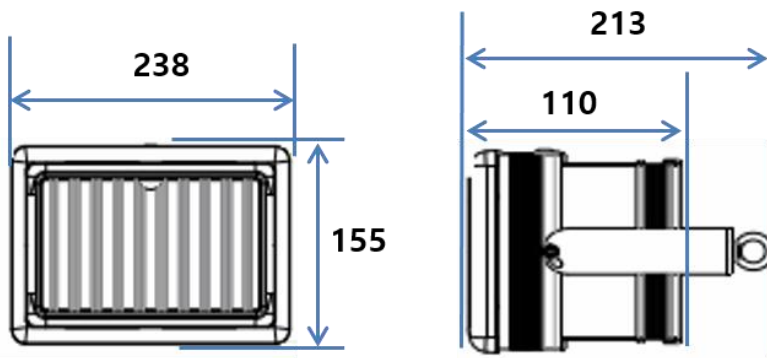
SFL-40

SSL-60

제품사양 _ 해충퇴치등



SFL - 40



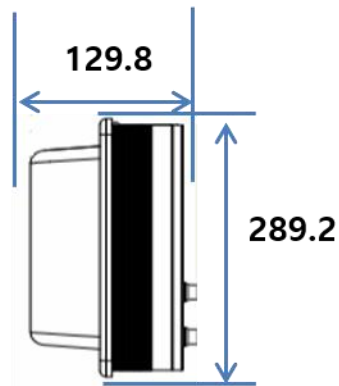
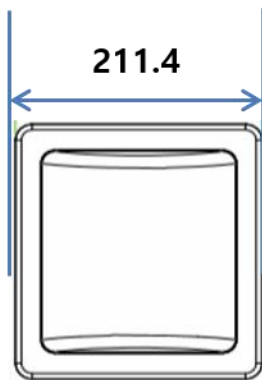
Specification

Input Power	AC 220V / 50~60Hz
Power Consumption	40W
LED Chip	LG, SAMSUNG
Warranty	5 years
CRI (Ra)	> 80
Luminous Efficiency (lm/W)	>110
CCT (Kelvin)	3,000 ~ 6,500K
Power Factor (%)	> 95
Luminous Flux (lm)	>4,400
View Angle	150°
IP Rating	65 (option 67)
Operating Temperature	-40 ~ +50°C
Dimensions	238 x 155 x 72mm
Weight(kg)	1.8

제품사양 _ 해충퇴치등



SSL - 60



Specification

Input Power	AC 220V / 50~60Hz
Power Consumption	60W
LED Chip	LG, SAMSUNG
Warranty	5 years
CRI (Ra)	> 80
Luminous Efficiency (lm/W)	>110 >130
CCT (Kelvin)	3,000 ~ 6,500K
Power Factor (%)	> 95
Luminous Flux (lm)	>6,600 >7,800
View Angle	150°
IP Rating	65 (option 67)
Operating Temperature	-40 ~ +50°C
Dimensions	230 x 210 x 117mm
Weight(kg)	1.6



PRODUCT

실내조명

(학교, 사무실, 관공서등)



SIL-40A

SIL-40B

제품사양 _ 실내 조명



SIL - 40A



Specification

Input Power	AC 220V / 50~60Hz
Power Consumption	40W
LED Chip	LG, SAMSUNG
Warranty	5 years
CRI (Ra)	> 80
Luminous Efficiency (lm/W)	>110
CCT (Kelvin)	5,500K
Power Factor (%)	> 95
Luminous Flux (lm)	>5,500 >6,500
View Angle	110°
IP Rating	65 (option 67)
Operating Temperature	-20 ~+40°C
Dimensions	1280 x 320 x22
Weight(kg)	



SIL – 40B



Specification

Input Power	AC 220V / 50~60Hz
Power Consumption	40W
LED Chip	LG, SAMSUNG
Warranty	5 years
CRI (Ra)	> 80
Luminous Efficiency (lm/W)	>110
CCT (Kelvin)	5,700K
Power Factor (%)	> 95
Luminous Flux (lm)	>5,500 >6,500
View Angle	110°
Operating Temperature	-20 ~+40°C
Dimensions	640 x 640 x 22
Weight(kg)	



PRODUCT

UL 인증



SFL-240A

SFL-400A

SFL-600A

제품사양 _ UL인증 제품



SFL - 240A



Specification

Input Power	AC 220V / 50~60Hz
Power Consumption	240W
LED Chip	LG, SAMSUNG
Warranty	5 years
CRI (Ra)	> 80
Luminous Efficiency (lm/W)	
CCT (Kelvin)	3,000 ~ 6,500K
Power Factor (%)	> 95
Luminous Flux (lm)	
View Angle	10/20/30/40/50/60/80/100°
IP Rating	65 (option 67)
Operating Temperature	-40 ~ +50°C
Dimensions	
Weight(kg)	

제품사양 _ UL인증 제품



SFL - 400A



Specification

Input Power	AC 220V / 50~60Hz
Power Consumption	400W
LED Chip	LG, SAMSUNG
Warranty	5 years
CRI (Ra)	> 80
Luminous Efficiency (lm/W)	
CCT (Kelvin)	3,000 ~ 6,500K
Power Factor (%)	> 95
Luminous Flux (lm)	
View Angle	10/20/30/40/50/60/80/100°
IP Rating	65 (option 67)
Operating Temperature	-40 ~ +50°C
Dimensions	
Weight(kg)	

제품사양 _ UL인증 제품



SFL - 600A



Specification

Input Power	AC 220V / 50~60Hz
Power Consumption	600W
LED Chip	LG, SAMSUNG
Warranty	5 years
CRI (Ra)	> 80
Luminous Efficiency (lm/W)	
CCT (Kelvin)	3,000 ~ 6,500K
Power Factor (%)	> 95
Luminous Flux (lm)	
View Angle	10/20/30/40/50/60/80/100°
IP Rating	65 (option 67)
Operating Temperature	-40 ~ +50°C
Dimensions	
Weight(kg)	

공급 실적 - 국내



공급 실적 - 해외



적용 사례



지하철



항만

골프장



터널



적용 사례



도로 및 가로수

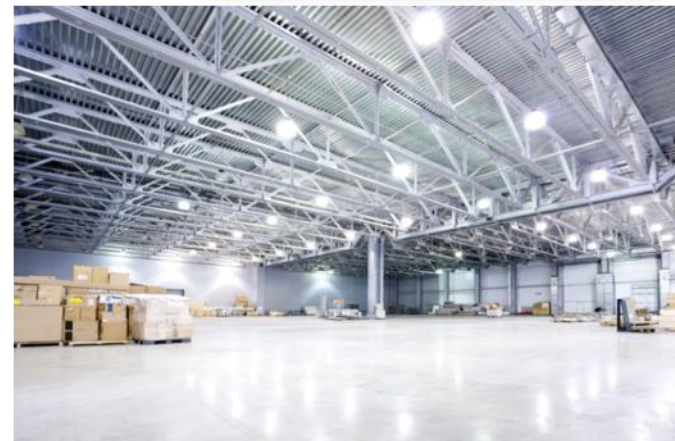


체육시설

공원 및 놀이동산



공장



적용 사례



LED는 감동을 선사합니다 !

LED는 고객을 불러들입니다 !



만일



에너지 및 비용 감소를 기대한다면



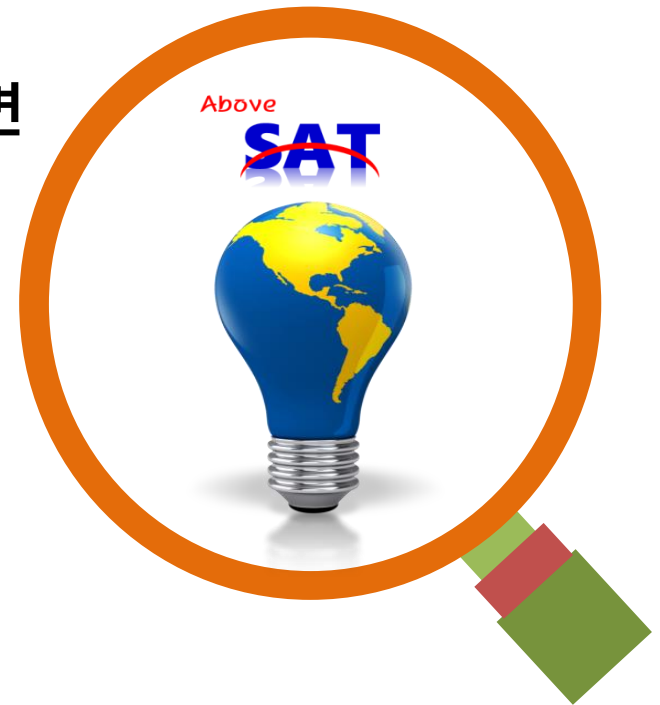
더 많은 고객을 끌고 싶다면



업무 효율을 높이고 싶다면



범죄를 예방하고 싶다면



SAT를 찾아 주세요!!



감사합니다.



www.sateng.co.kr

Tel. 031-433-4711

Fax. 031-433-1441